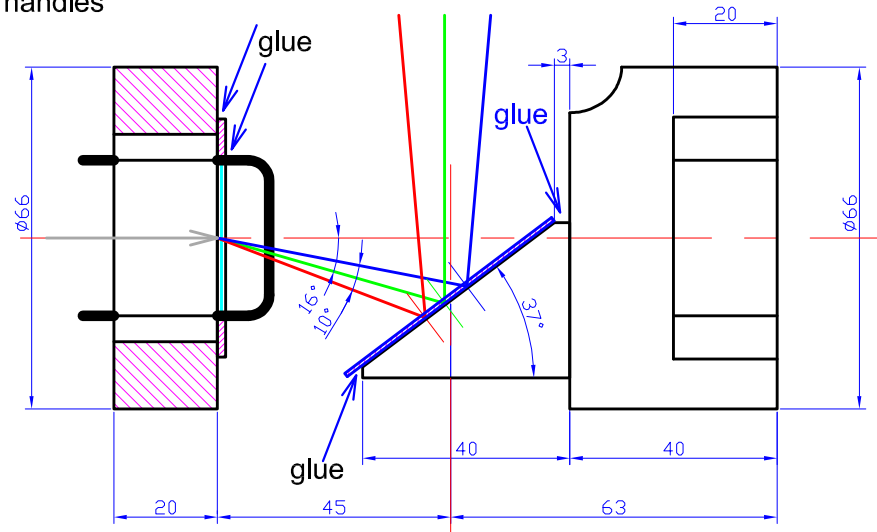
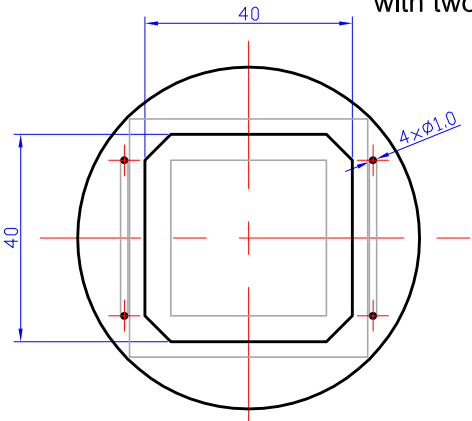
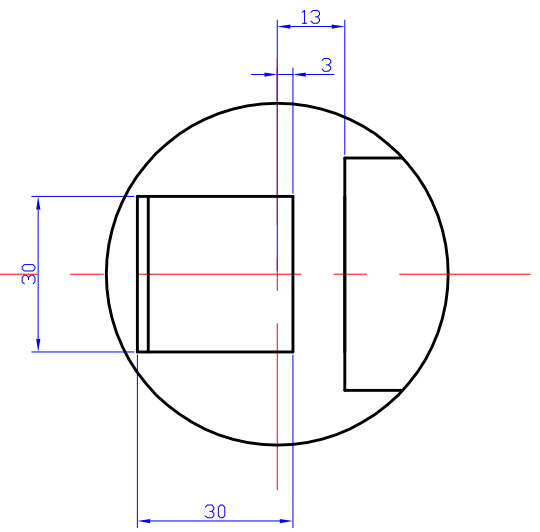
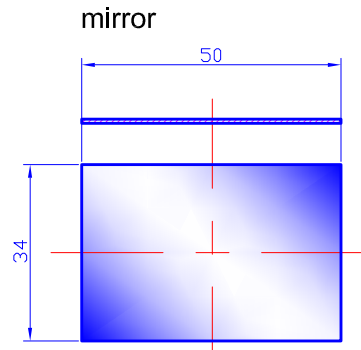
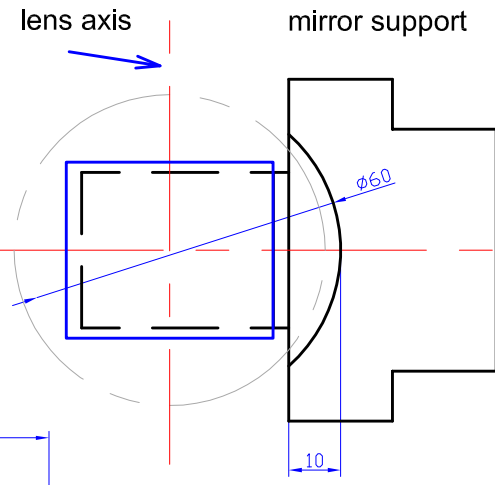
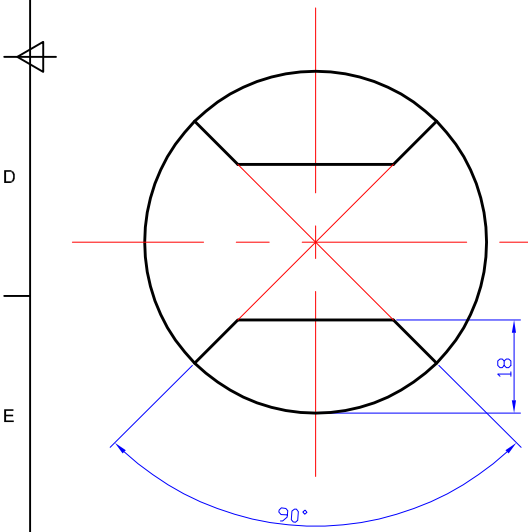
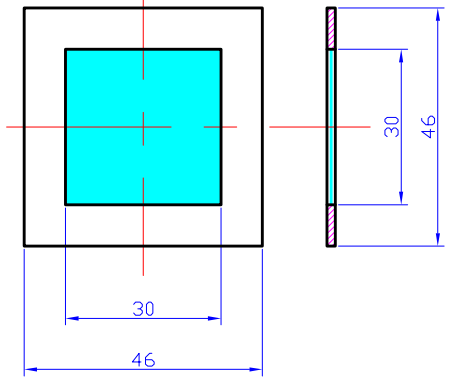


Material:	Styrofoam, diffractive grating k=500, mirror, copper wire $\varnothing=1.4$ mm, styrofoam glue, black mat paint.
Finish:	Cut all parts with sharp segmented blade utility knife, glue all together, paint it black.

diffractive grating support with two handles



diffractive grating k=500 assembled in the frame



Remarks:	none				
Design:	Adam W. Kamela	Checkout:	Adam W. Kamela	Approval:	Adam W. Kamela
Date:	27-07-2014	Number of pieces per product:	1	Scale:	1:1
Part name:			Diffractive grating and support version TRANS k=500		
Part number:			none		
Sheet:	1 / 1	Edition:	01		

**Adam Wiktor Kamela**  
[www.kamela.org](http://www.kamela.org)